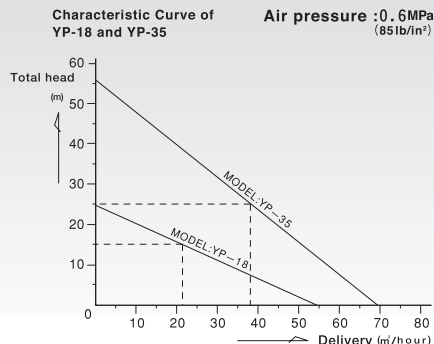
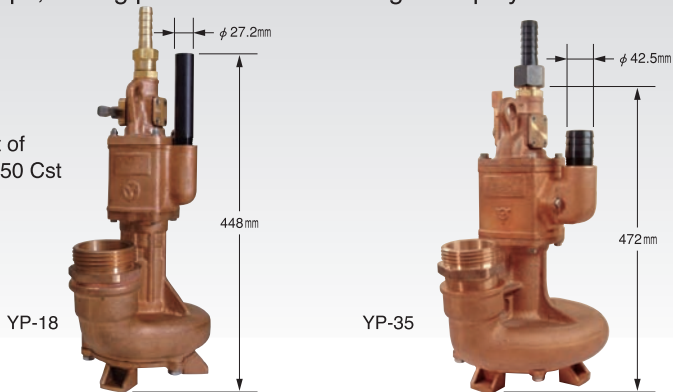




SUMP PUMPS

Y P series sump pumps are high performance volute pump. As it drives by air motor, effective for water discharging, pumping, feeding under explosion proof or electric shock proof required conditions such as inside of ships, mining pits. As bronze casting is employed for material, it is durable for pressure, and wear.

Applicable limit of viscosity : 50 Cst

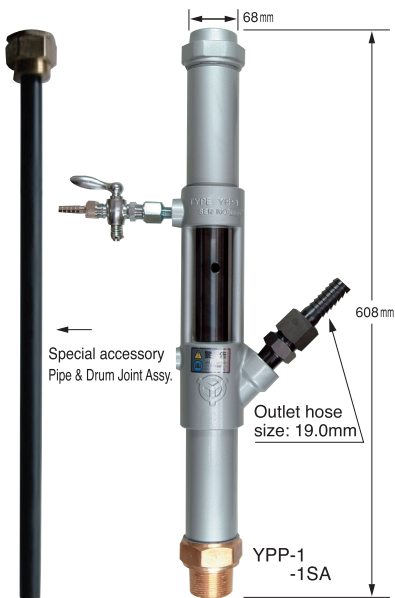
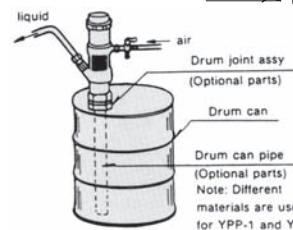
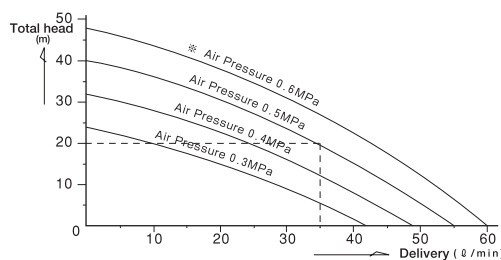


Model	Capacity		Max. Air Consumption (Approx.) ℓ/min(ft³/min)	Net Weight kg(lb)	Air Hose Inside Dia. mm(in)	Water Hose Inside Dia. mm(in)	Air Exhaust Thread (Pipe Thread) Rc	Air Pressure MPa(lb/in²)
	Total Head m(ft)	Delivery m³/hour(USgal/min)						
YP-18	15 (49)	22 (97)	2000 (70.7)	19 (41.9)	19.0 (3/4)	63.5 (2 1/2)	3/4	0.6 (85)
YP-35	25 (81)	38 (167)	4400 (155.5)	32 (70.5)	25.4 (1)	63.5 (2 1/2)	1 1/4	0.6 (85)

Standard accessories: 1 hose nipple, 1 water hose joint.
Optional accessories : water hose nipple, water hose joint nut, L-packing (70x85x4)

PISTON PUMPS

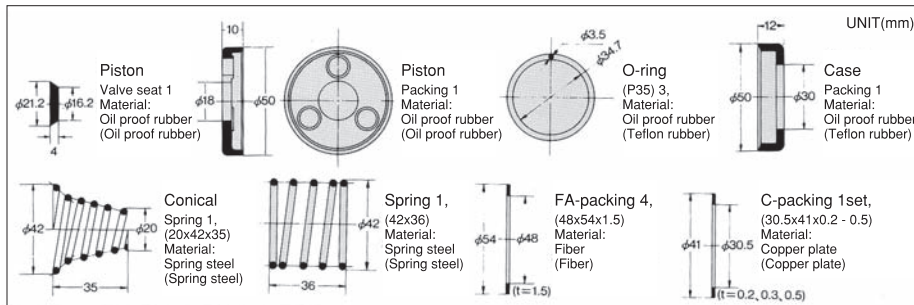
YPP series piston pumps are stroke movement pump, and directly linked with a stroke type motor power by compressed air. As it has no pressure drop, or contamination, the Piston Pumps are optimum for fuel feed process of vehicles, ships, aircraft, and burners, and removal of various liquid (water, oil, chemical, and others) from drummed vessel. (Applicable air pressure: 0.3 - 0.5MPa)



Air Pressure MPa(lb/in²)	Max. Air Consumption ℓ/min(ANR)(ft³/min)
0.3 (42)	170 (6.0)
0.4 (57)	250 (8.8)
0.5 (71)	340 (12.0)
※0.6 (85)	420 (14.8)

Applicable limit of viscosity : 150 Cst

Optional Parts



Model	Piston Dia. mm(in)	Piston Stroke mm(in)	Blows Per Min. (min)	Ordinary Delivery Capacity ℓ/min(USgal/min)	Overall Length (about) mm(in)	Net Weight kg(lb)	Suction Port Thread (Pipe Thread) Rc	Delivery Port Thread (Pipe Thread) Rc	Air Hose Size mm(in)	Air Inlet Thread (Pipe Thread) Rc	Air Pressure MPa(lb/in²)
YPP-1	50 (2)	100 (3.9)	200	35 (9.2)	608 (23.9)	3.5 (7.7)	1 1/2	3/4	9.5 (3/8)	1/4	0.3~0.5 (42~71)

Standard accessories: 1 air cock cp, 1 hose nipple cp.
Special accessories (order separately): Drum joint cp, Pipe for drum.

This is for chemical and purified water delivery. Materials of major parts consist of teflon rubber, brass pipes, SUS304, teflon, aluminum casting, and fiber packings, etc.

※YPP-1SA	50 (2)	100 (3.9)	200	35 (9.2)	608 (23.9)	4.3 (9.5)	1 1/2	3/4	9.5 (3/8)	1/4	0.3~0.5 (42~71)
----------	--------	-----------	-----	----------	------------	-----------	-------	-----	-----------	-----	-----------------

Standard accessories: 1 air cock cp, 1 hose nipple cp.
Optional accessories : Drum joint assy., Pipe for drum.
YPP-1SA is to be produced subject to order. Ask for delivery time.