



NAME: High Torque Compact AC Fully Automatic Trigger Start Clutch Type Series

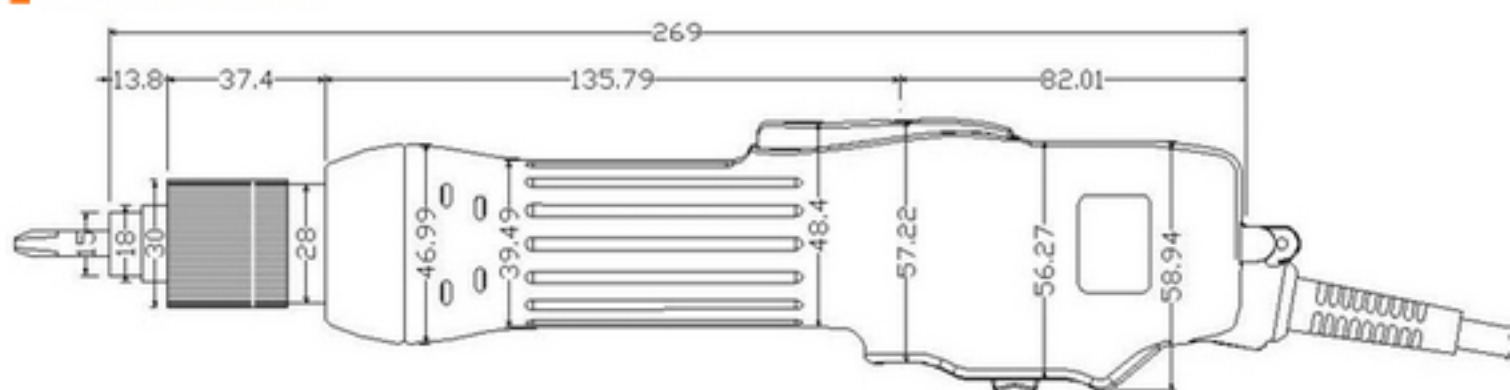
MODEL: SK-9130L / SK-9230L / SK-9140L / SK-9240L / SK-9150L / SK-9250L / SK-9130LF / SK-9230LF / SK-9140LF / SK-9240LF

Product Description

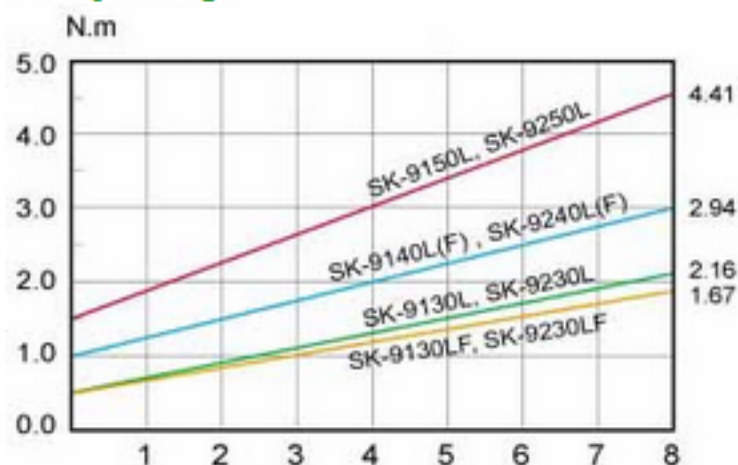
- Torque range 5~45 kgf.cm (High torsion)
- Stable torque accuracy $\pm 3\%$
- Actuation against single pressing.
- Torsion adjustable and fixable with a fixing ring (KC-1)
- Grand torsion applicable to installation of a pistol grip.
- Best fit for case of Computer and Tapping screw operation.
- SK9 series passed UL, CUL, CE, CCC Standards.
- SK-9140LF, SK-9240LF Models with exceeding to 30 kgf.cm Torque and 1,000 r.p.m Speed Output are special designated for the tapping screw to joint Monitor Exterior Assemblies.

▶▶ Conform to EMI, EMC International Safety Standards.

External Dimension



Torque Range



Specifications

Full Automatic Electric Screwdrivers

(High Speed)

Model	SK-9130L	SK-9140L	SK-9150L	SK-9130LF	SK-9140LF	
Input Voltage	AC 110~120V 50 / 60Hz					
Torque	(kgf.cm)	5~22	10~30	15~45	5~17	10~30
	(Lbf.in)	4.4-19.36	8.8-26.4	13.2-39.6	4.4-14.75	8.8-26.4
	(N.m)	0.49-2.16	0.98-2.94	1.47-4.41	0.49-1.67	0.98-2.94
Repeatable Torque Accuracy(%)	$\pm 3\%$	$\pm 3\%$	$\pm 3\%$	$\pm 3\%$	$\pm 3\%$	
Torque Adjustment	Stepless	Stepless	Stepless	Stepless	Stepless	
Free Speed (r.p.m)	1000	700	500	1900	1000	
Non-Power Consumption	0.4A	0.4A	0.4A	0.4A	0.4A	
Screw Dia (mm)	Machine Screw	2.6~4.0	3.0~5.0	4.0~6.0	2.3~4.0	3.0~5.0
	Tapping Screw	2.6~3.5	3.0~4.0	4.0~5.0	2.3~3.5	3.0~4.0
Weight (g) / Cmain Body	700	700	700	700	700	
Length (mm)	269	269	269	269	269	
ESD (Anti-Static)	-	-	-	-	-	
UL (CUL)	-	-	-	-	-	
CE	-	-	-	-	-	
RoHS	V	V	V	V	V	
Torque Fixing Ring	KC-1	KC-1	KC-1	KC-1	KC-1	
Suspension Rack	KH-3	KH-3	KH-3	KH-3	KH-3	
Bit Type						

(High Speed)

Model	SK-9230L	SK-9240L	SK-9250L	SK-9230LF	SK-9240LF	
Input Voltage	AC 220~240V 50 / 60Hz					
Torque	(kgf.cm)	5~22	10~30	15~45	5~17	10~30
	(Lbf.in)	4.4-19.36	8.8-26.4	13.2-39.6	4.4-14.75	8.8-26.4
	(N.m)	0.49-2.16	0.98-2.94	1.47-4.41	0.49-1.67	0.98-2.94
Repeatable Torque Accuracy(%)	$\pm 3\%$	$\pm 3\%$	$\pm 3\%$	$\pm 3\%$	$\pm 3\%$	
Torque Adjustment	Stepless	Stepless	Stepless	Stepless	Stepless	
Free Speed (r.p.m)	1000	700	500	1900	1000	
Non-Power Consumption	0.3A	0.3A	0.3A	0.3A	0.3A	
Screw Dia (mm)	Machine Screw	2.6~4.0	3.0~5.0	4.0~6.0	2.3~4.0	3.0~5.0
	Tapping Screw	2.6~3.5	3.0~4.0	3.0~5.0	2.3~3.5	3.0~4.0
Weight (g) / Cmain Body	700	700	700	700	700	
Length (mm)	269	269	269	269	269	
ESD (Anti-Static)	-	-	-	-	-	
UL (CUL)	-	-	-	-	-	
CE	-	-	-	-	-	
RoHS	V	V	V	V	V	
Torque Fixing Ring	KC-1	KC-1	KC-1	KC-1	KC-1	
Suspension Rack	KH-3	KH-3	KH-3	KH-3	KH-3	
Bit Type						

All of Kilews electric screwdrivers, referred to UL,CUL or CE International Safety Specifications,are made and some of models have already received formal concerning approvals.

Some Models of Kilews full automatic electric screwdrivers can be offered with ESD(Anti-Static)Housing once required.



Model Description

Fig. SK - 9 1 3 0 P A



Post2 - ("1" in Fig.); Input Voltage

- "1" - AC110-120 Volt 50/60Hz
- "2" - AC220-240 Volt 50/60 Hz

Post5 - ("P" in Fig.); Actuation, Start Type

- "P" - Push Start Type
- "L" - Trigger Start Type
- "F" - High Speed Type

Post6 - ("A" in Fig.); Bit Type

- "A" - Bit in SS 5mm, Hexagon Type
- "B" - Bit in SS 6.35mm, Hexagon Type
- "C" - Bit in M3 4ø, Round Type
- "D" - Bit in M6 5ø, Round Type