

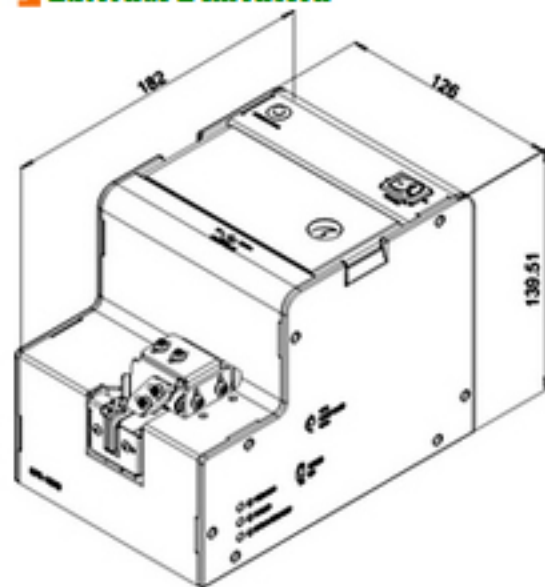


MODEL: KFR-1050

Product Description

- **WIDEST RANGE OF APPLICABLE SCREW SIZES;** Between 1.0~5.0mm (Incl.;1.0mm, 1.2mm, 1.4mm, 1.7mm, 2.0mm, 2.3mm, 2.6mm, 3.0mm, 3.5mm, 4.0mm, & 5.0mm,) 11 sizes.
- **MAX OF SCREW LENGTH & HOPPER CAPACITY;** Screw Length: Up to 19mm (under screw head)
Capacity of hopper: 200 ~ 220 c.c
- **APPLICABILITY OF SPECIAL SCREW TYPES:** Screw Length Thread Diameter (1 ;Û1) Thickness of screw head ;Û0.2mm No jamming or failure occurred with these applicable types and affect productivity.
- **SIZE OF FEEDING RAIL IS ADJUSTABLE:**Feeding rail can be pulled out for width adjusts to the applied sizes easily. Measurements for width adjusting can be in Metric or Imperial units.
- **SAVE PARTS COSTS & STOCK;**KFR-1050 allows adjusting the width of feeding rail to serve 11 sizes screws, between 1.0mm to 5.0 mm diameter. The flexibility prevents dealers from stocking up on quantities for different sizes, and reduces the cost on related accessories for users.
- **ADJUSTABLE VIBRATION INTENSITY;**With vibration in small amplitude at high intensity, it moves screws on rail to pick-up point in good order, no overlay or jamming to affect the speed of movement and productivity.
- **HUMANIZED MULTI PROGRAMMING CONTROL:**
 - Individual drive system for tumbling and vibrating operation.
 - Setting ideal interval timings freely with no function conflict or failure occurred.
 - Equipped ground wire, socket & buzzer for operative safety and alarm signal.
 - PCB controls for efficiencies of desired speed & timing on each operating step.
 - Switching Adaptor allowed AC100~240V power source for stable DC 15V output, No influences and problems due to the different AC power source of factories locations.

External Dimension



Specifications

Model Name & Number	KFR-1050
Size	182(W) x 126(L) x 147(H)mm
Weight	N.W.;GApprox 2.17 Kgs (excluding switching adaptor)
Power Source	AC 100~240V
Switching Adaptor	DC 15V Switching Adaptor
Applicable Screw	From M1.0 to M5.0
Applicable Screw length	Up to 19mm(under head)
Scooping Chamber Capacity	200~220 cc
Accessories (in package & box)	Allen Wrench (L Shaped 2.0*107mm) x 1pc.
	Switching Adaptor x 1Set.
	Accessory(front)(0.8;B1.0;B1.2;B1.5;B2.0;B*70mm) x 1pc.
	Accessory(behind) (0.2*10*20mm) x 2pcs.
	Accessory(behind) (0.5*10*20mm) x 10pcs.
	Stopper2.0~5.0mm x 1pc.
	Instruction Manual
Package Size	Each Set/Box;G282(L) x 142(W) x 201(H)mm
	Each Carton;G450(L) x 310(W) x 435(H)mm
Package Weight(including Machine)	Each Set/Box G.W.: Approx 2.63 Kgs
	Each Cartn G.W.: Approx 16.53 Kgs(One Box= 6 Sets)