



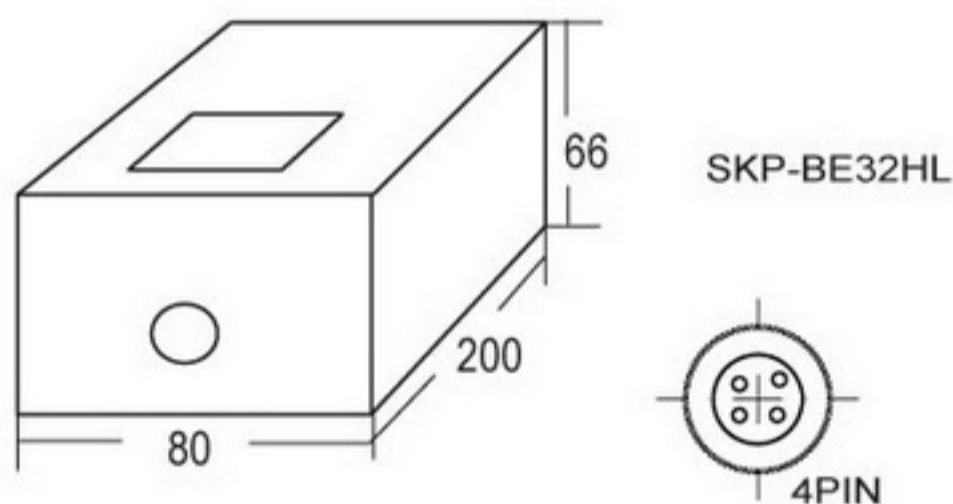
**NAME:** Brushless Screwdrivers Power Controller

**MODEL:** SKP-BE32HL

📌 **Product Description**

- Input Voltage: AC100~240V / Output Voltage: LO DC24V / HI DC32V
- Power Switch: Small volume, light weight, easy to use, and the output voltage is stable.
- The controller have the power source light indicator. Green light indicates normal, and red light indicated overload usage.

📌 **External Dimension**



📌 **Specifications**

Model	SKP-BE32HL
Input Voltage	AC100~240V 50/60HZ
Output Voltage	LO DC24V / HI DC32V
Output Capacity	1.8A Max
Outside Dimension (mm)	200 x 80 x 66
Weight (g)	460
AC Cord Length	2M with ground
Suitable Model	SKD-B512LF ; SKD-B512PF ; SKD-B517LF ; SKD-B517PF ; SKD-BE512LF ; SKD-BE512PF ; SKD-BE517LF ; SKD-BE517PF
ESD (Anti-Static)	V
UL (CUL) ETL	V
CE	V
RoSH	V