



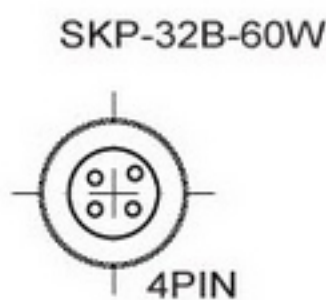
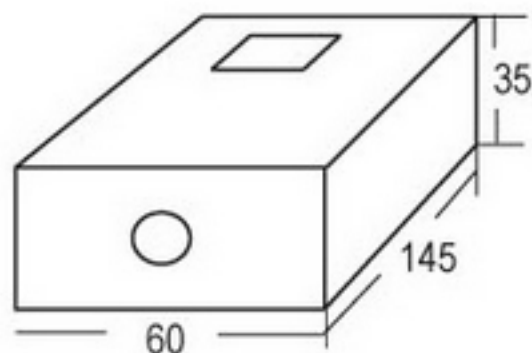
NAME: Brushless Screwdrivers Power controller

MODEL: SKP-32B-60W

📌 **Product Description**

- Input Voltage: AC100~240V / Output Voltage: LO DC24V / HI DC32V
- Power Switch: Small volume, light weight, easy to use, and the output voltage is stable.
- The controller have the power source light inductor. Green light indicates normal, and red light indicated overload usage.

📌 **External Dimension**



📌 **Specifications**

| | |
|------------------------|---|
| Model | SKP-32B-60W |
| Input Voltage | AC100~240V 50/60HZ |
| Output Voltage | LO DC24V / HI DC32V |
| Output Capacity | 1.8A Max |
| Outside Dimension (mm) | 145 x 60 x 35 |
| Weight (g) | 250 |
| Suitable Model | SKD-B203L ; SKD-B207L ; SKD-B210L ; SKD-B512L ; SKD-B512P ; SKD-B519L ; SKD-B519P ; SKD-BE512L ; SKD-BE512P ; SKD-BE519L ; SKD-BE519P |
| ESD (Anti-Static) | V |
| UL (CUL) ETL | V |
| CE | V |
| RoSH | V |