



**NAME:** Brushless Screwdrivers Power controller

**MODEL:** SKP-40B

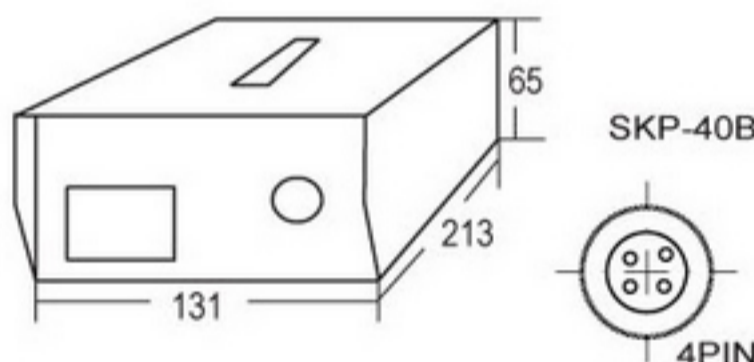
▶ **Product Description**

● Input Voltage: AC100~240V / Output Voltage: DC40V

● Power Switch: Small volume, light weight, easy to use, and the output voltage is stable.

● The controller have the power source light indictor. Green light indicates normal, and red light indicated overload usage.

▶ **External Dimension**



▶ **Specifications**

Model	SKP-40B
Input Voltage	AC100~240V 50/60HZ
Output Voltage	DV40V
Output Capacity	5.5A
Outside Dimension (mm)	213 x 131 x 65
Weight (g)	1800
AC Cord Length	2M with ground
Suitable Model	SKD-B830L ; SKD-B830P : SKD-B850L ; SKD-B850P : SKD-B830LF ; SKD-B830PF ; SKD-BE830L ; SKD-BE830P ; SKD-BE850L ; SKD-BE850P ; SKD-BE830LF ; SKD-BE830PF ; SKD-RB Series ; SKD-TB Series
ESD (Anti-Static)	V
UL (CUL) ETL	V
CE	V
RoSH	V