

:: Brushless Power Torque Electric Screwdrivers



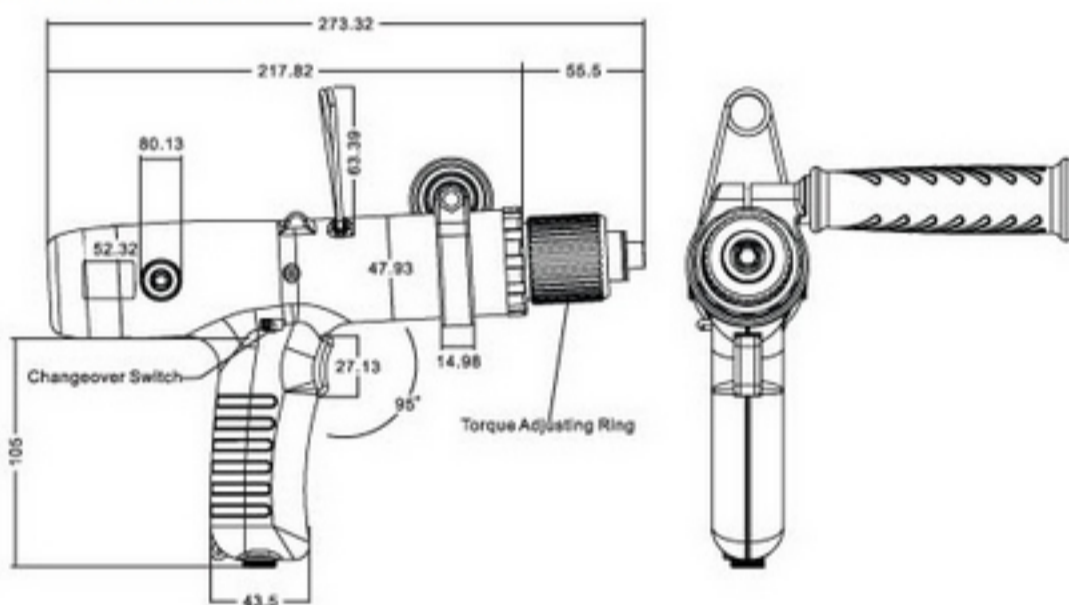
NAME: Brushless Power Torque Electric Screwdrivers

MODEL: SKD-TB60L / SKD-TB90L / SKD-TB120L / SKD-TB180L

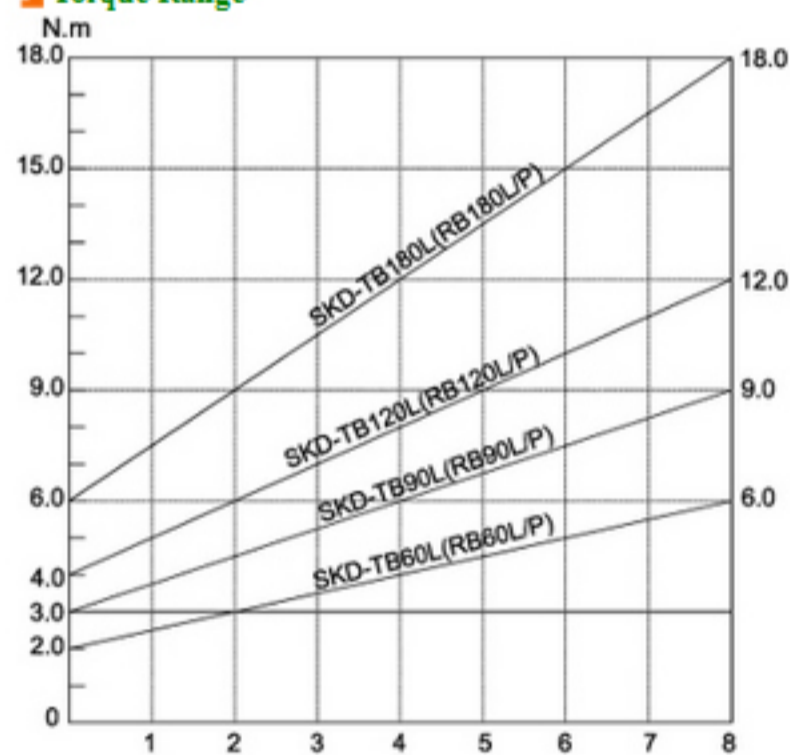
Product Description

- Whole series use brushless motor, no carbon pollution, low noise motor operation. It is the best fit for assembling high torque products.
- Assemble large-sized LED/LCD panel and home appliances. The tool can be hanged with spring balancer to lessen work fatigue.
- TB torque range is from 20~180 kgf.cm, and the stable torque output with great precision can replace pneumatic screwdrivers - unstable torque, grease-polluted, and noise-polluted.
- Highly mobile, easy to operate, stable torque, high efficiency. The motor can be free from fatigue under long-working hours.

External Dimension



Torque Range



Specifications

Model	SKD-TB60L	SKD-TB90L	SKD-TB120L	SKD-TB180L
Input Voltage	DC 40V			
Torque (N.m)	2~6	3~9	4~12	6~18
Repeatable Torque Accuracy (%)	±5%	±5%	±5%	±5%
Torque Adjustment	Stepless	Stepless	Stepless	Stepless
Free Sped (r.p.m)	1000	800	550	350
Power Consumption (W)	100	120	120	200
Screw Size Dia(mm)	Machine Screw	4.0~5.0	5.0~6.0	≤ 8
	Tapping Screw	≤ 4	≤ 4.5	≤ 6
Weight (kg)	1.25	1.25	1.25	1.25
Length (mm)	270*169	270*169	270*169	270*169
ESD (Anti-Static)	V	V	V	V
UL (CUL)	V	V	V	V
CE	V	V	V	V
RoHS	V	V	V	V
Hand Grip	CF85002	CF85002	CF85002	CF85002
Power Controller	SKP-40B	SKP-40B	SKP-40B	SKP-40B
Bit Type				